

SEEDA-Series Spare Parts		Date	2019-06-10
整理番号 名称	0060-05_SpareParts:PLC CPU_100507		

Code No.

0060-05

Parts Name

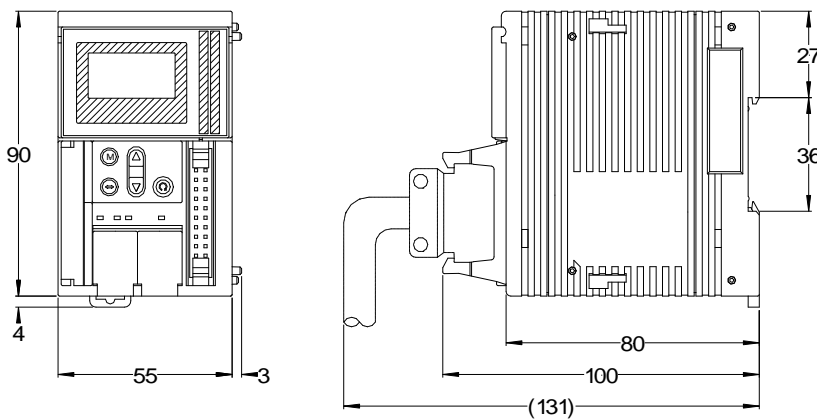
PLC CPU (included software)



1. Model : KV-700 (included software)
2. 電源電圧 : DC 24V±10%
3. 演算制御方式 : ストアードプログラム方式
4. プログラム容量 : 約 16k ステップ (メモリ増設時 約 32k ステップ)
5. Dimension(W×Hmm) : 55×90
6. Option : Within analyzer CPU application program made by ANAC

Specification

KV- 700



Remarks: The software does not suit expect the specification of the purchased equipment.

Please be sure to fill in serial No. of equipment in the case of purchase.